

Building Microservice with Go-Kit

Ady Rahmat MA
Software Engineer at IndonesiaX



Go Programming Language

- Simple, Efficient and Powerfull
- Static Typed
- Standard Library are rich
- Open Source
- Go 1.8.3 (Now planning for Go 2)

Microservice

“Microservices - also known as the microservice architecture - is an architectural style that structures an application as a collection of loosely coupled services, which implement business capabilities. The microservice architecture enables the continuous delivery/deployment of large, complex applications. It also enables an organization to evolve its technology stack.” - microservices.io

Go-Kit

Go kit is a programming toolkit for building microservices (or elegant monoliths) in Go. We solve common problems in distributed systems and application architecture so you can focus on delivering business value.

gokit.io

github.com/go-kit/kit

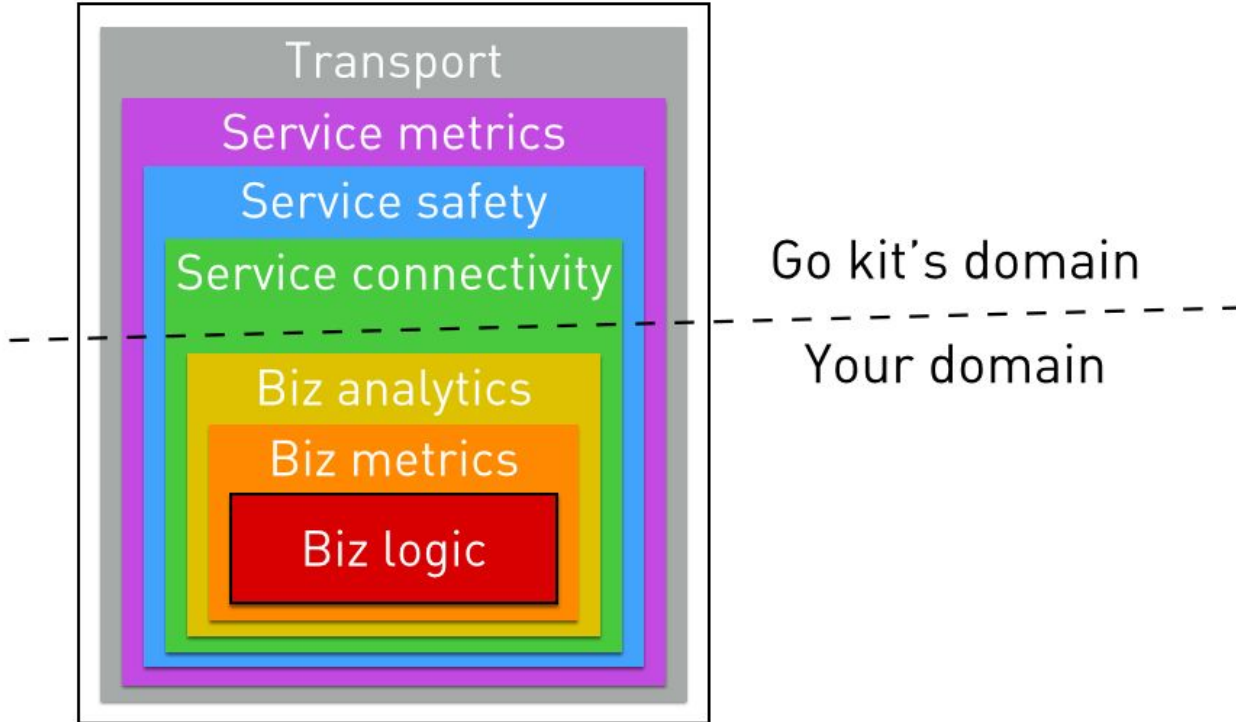
Why Go-Kit

- Only use what you need
- Will be using Interface as contracts
- SOLID Design

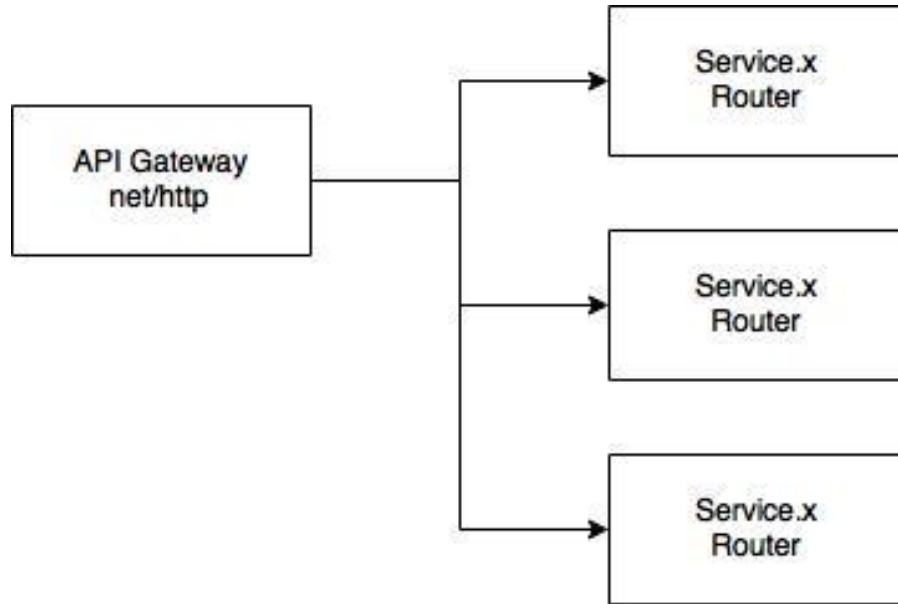
(<https://scotch.io/bar-talk/s-o-l-i-d-the-first-five-principles-of-object-oriented-design>)

- Domain Driven Development
- Clean Architecture

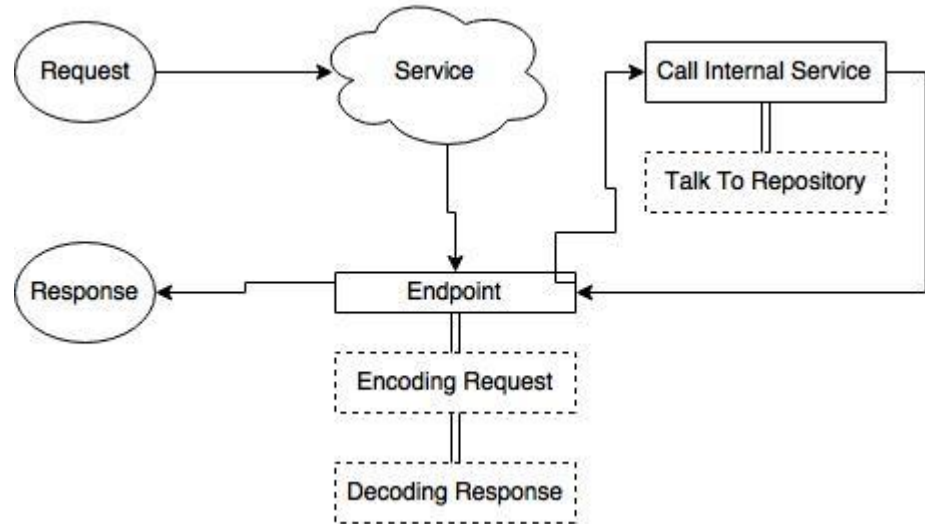
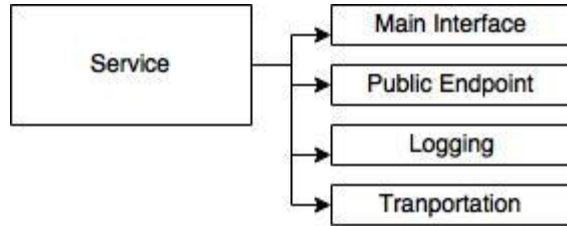
Separate Concerns



Deployment Spec



Service Spec



Demo

Thank You



Ady Rahmat MA

@ngurajeka

<https://peter.bourgon.org/applied-go-kit>

<http://microservices.io/>